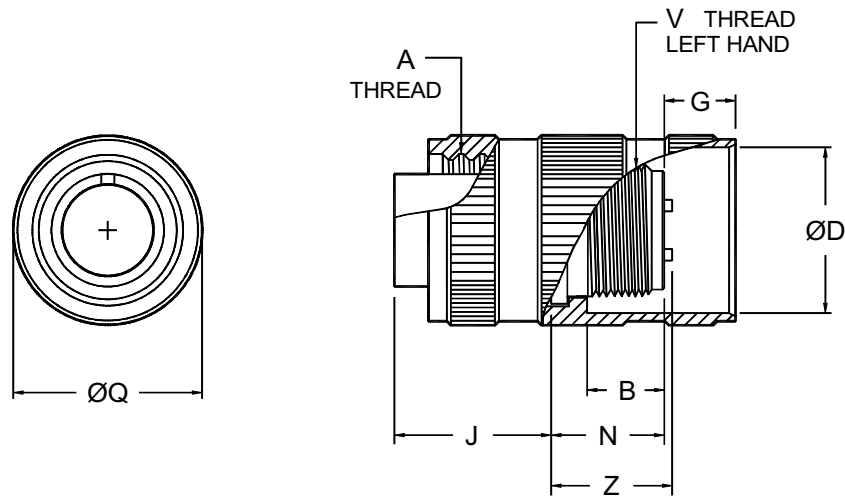


SWL SERIES SCP1076 STRAIGHT PLUG



PART NUMBER	SHELL SIZE	A THREAD CLASS 2B	B ±.020 [±0.51]	ØD +.010 -.000 [+0.25] [-0.00]	G ±.030 [±0.76]	J ±.005 [±0.13]	N ±.010 [±0.25]	ØQ MAX.	V THREAD CLASS 2A-LH	Z MAX.
SCP107610-*	10S	.6250-0.05P-0.1L-DS	.406 [10.31]	.735 [18.67]	.053 [1.35]	.531 [13.49]	.563 [14.30]	.882 [22.40]	.5000-28 UNEF	.603 [15.32]
SCP107612-*	12S	.7500-0.1P-0.2L-DS	.406 [10.31]	.859 [21.82]	.109 [2.77]	.531 [13.49]	.563 [14.30]	1.010 [25.65]	.6250-24 UNEF	.603 [15.32]
SCP107613-*	12	.7500-0.1P-0.2L-DS	.578 [14.68]	.859 [21.82]	.077 [1.96]	.719 [18.26]	.750 [19.05]	1.010 [25.65]	.6250-24 UNEF	.852 [21.64]
SCP107614-*	14S	.8750-0.1P-0.2L-DS	.406 [10.31]	.985 [25.02]	.234 [5.94]	.531 [13.49]	.563 [14.30]	1.137 [28.88]	.7500-20 UNEF	.603 [15.32]
SCP107615-*	14	.8750-0.1P-0.2L-DS	.578 [14.68]	.985 [25.02]	.077 [1.96]	.719 [18.26]	.750 [19.05]	1.137 [28.88]	.7500-20 UNEF	.852 [21.64]
SCP107616-*	16S	1.0000-0.1P-0.2L-DS	.406 [10.31]	1.109 [28.17]	.234 [5.94]	.531 [13.49]	.563 [14.30]	1.264 [32.11]	.8750-20 UNEF	.603 [15.32]
SCP107617-*	16	1.0000-0.1P-0.2L-DS	.578 [14.68]	1.109 [28.17]	.141 [3.58]	.719 [18.26]	.750 [19.05]	1.264 [32.11]	.8750-20 UNEF	.852 [21.64]
SCP107618-*	18	1.1250-0.1P-0.2L-DS	.578 [14.68]	1.235 [31.37]	.266 [6.76]	.719 [18.26]	.750 [19.05]	1.455 [36.96]	1.0000-20 UNEF	.852 [21.64]
SCP107620-*	20	1.2500-0.1P-0.2L-DS	.578 [14.68]	1.359 [34.52]	.266 [6.76]	.719 [18.26]	.750 [19.05]	1.551 [39.40]	1.1250-18 UNEF	.852 [21.64]
SCP107622-*	22	1.3750-0.1P-0.2L-DS	.578 [14.68]	1.485 [37.72]	.266 [6.76]	.719 [18.26]	.750 [19.05]	1.678 [42.62]	1.2500-18 UNEF	.852 [21.64]
SCP107624-*	24	1.5000-0.1P-0.2L-DS	.594 [15.09]	1.609 [40.87]	.266 [6.76]	.719 [18.26]	.812 [20.62]	1.806 [45.87]	1.3750-18 UNEF	.852 [21.64]
SCP107628-*	28	1.7500-0.1P-0.2L-DS	.594 [15.09]	1.859 [47.22]	.266 [6.76]	.719 [18.26]	.812 [20.62]	2.060 [52.32]	1.6250-18 UNEF	.852 [21.64]
SCP107632-*	32	2.0000-0.1P-0.2L-DS	.594 [15.09]	2.109 [53.57]	.266 [6.76]	.719 [18.26]	.875 [22.23]	2.315 [58.80]	1.8750-16 UN	.852 [21.64]
SCP107636-*	36	2.2500-0.1P-0.2L-DS	.556 [14.12]	2.359 [59.92]	.285 [7.24]	.719 [18.26]	.875 [22.23]	2.569 [65.25]	2.0625-16 UNS	.852 [21.64]
SCP107640-*	40	2.5000-0.1P-0.2L-DS	.556 [14.12]	2.609 [66.27]	.285 [7.24]	.719 [18.26]	.875 [22.23]	2.864 [72.75]	2.3125-16 UNS	.852 [21.64]
SCP107644-*	44	2.7500-0.1P-0.2L-DS	.700 [17.78]	2.922 [74.22]	.141 [3.58]	.719 [18.26]	1.000 [25.40]	3.142 [79.81]	2.6250-16 UN	1.103 [28.02]
SCP107648-*	48	3.0000-0.1P-0.2L-DS	.719 [18.26]	3.172 [80.57]	.141 [3.58]	.719 [18.26]	1.000 [25.40]	3.381 [85.88]	2.8750-16 UN	1.093 [27.76]

DIMENSIONS IN BRACKETS [] ARE IN MILLIMETERS.

SCP1076